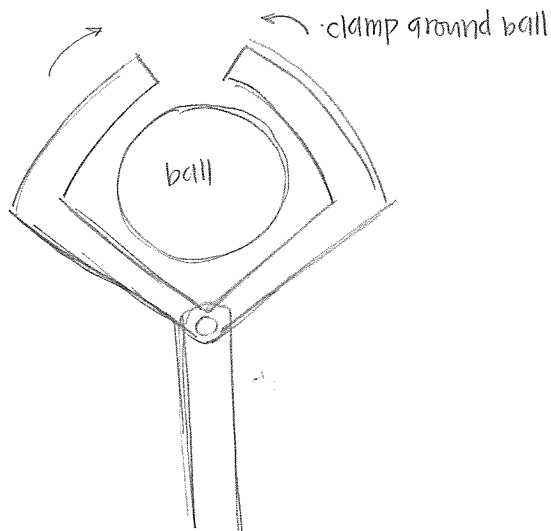
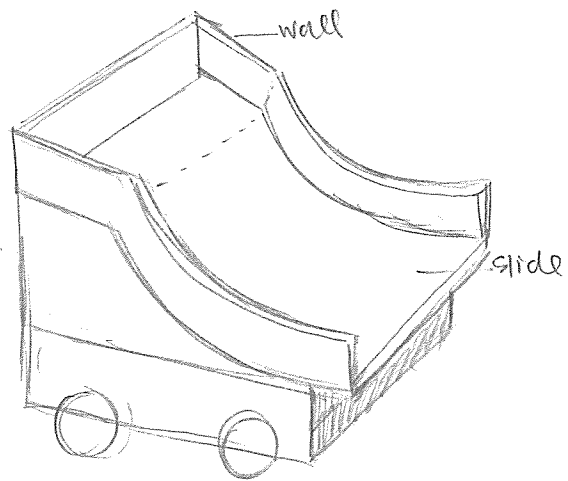
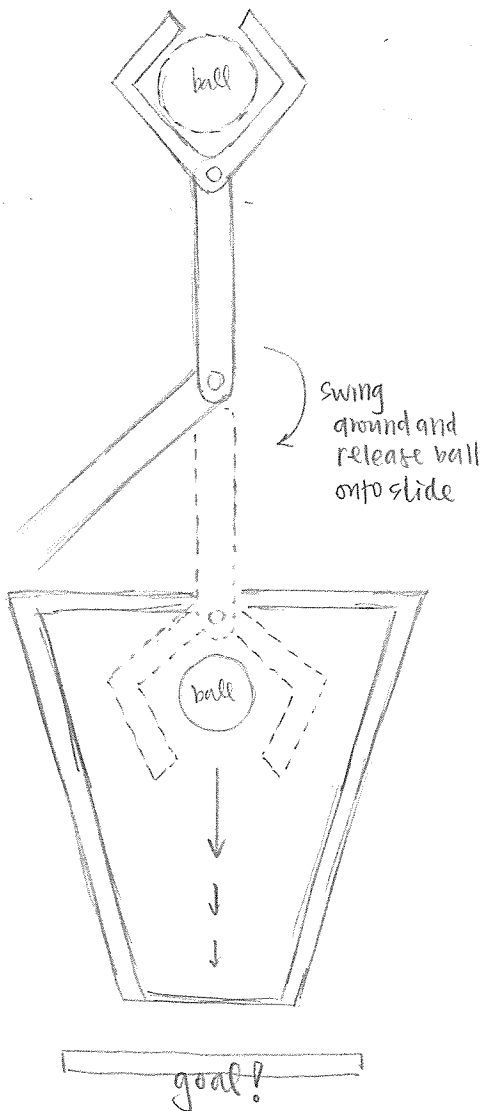
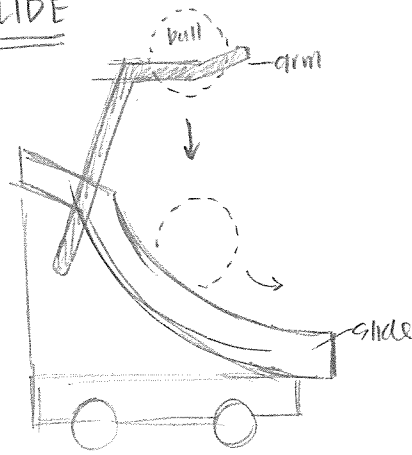


ARM



SLIDE

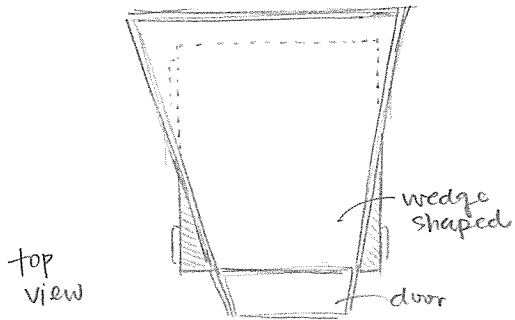
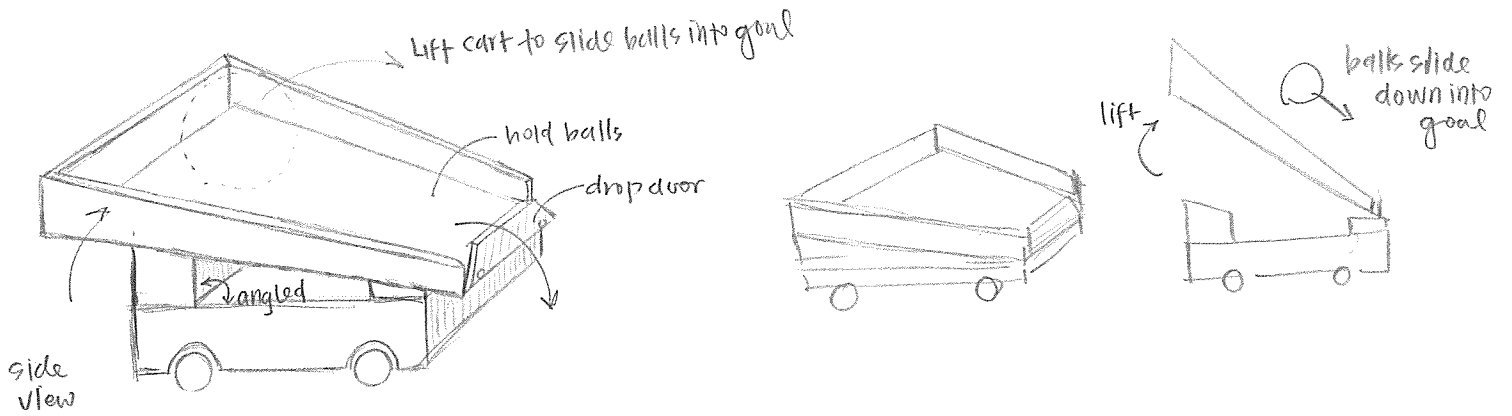


Disadvantages

- must move from Right to Left, collecting balls along the platform or else the rotating arm will knock off the other balls

Advantages

- no need to carry ball to goal, just drop onto slide and let gravity do the work

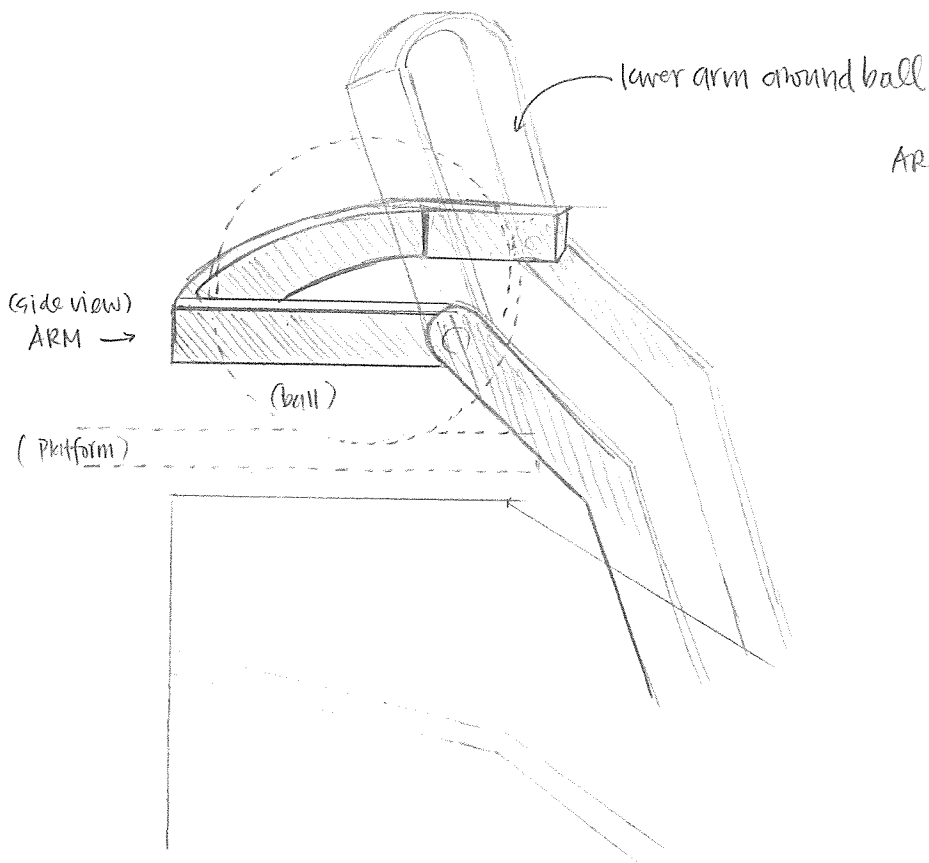


Disadvantages

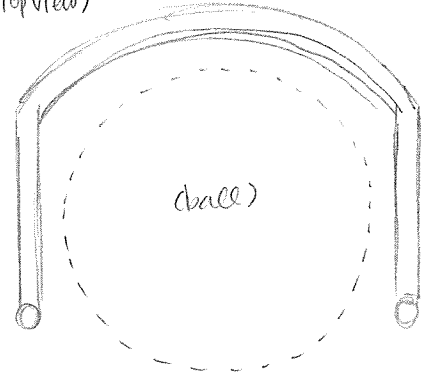
- must lift entire cart to drop balls into goal (weight may be issue)

Advantages

- can hold more than 1 ball at a time.



ARM (top view)

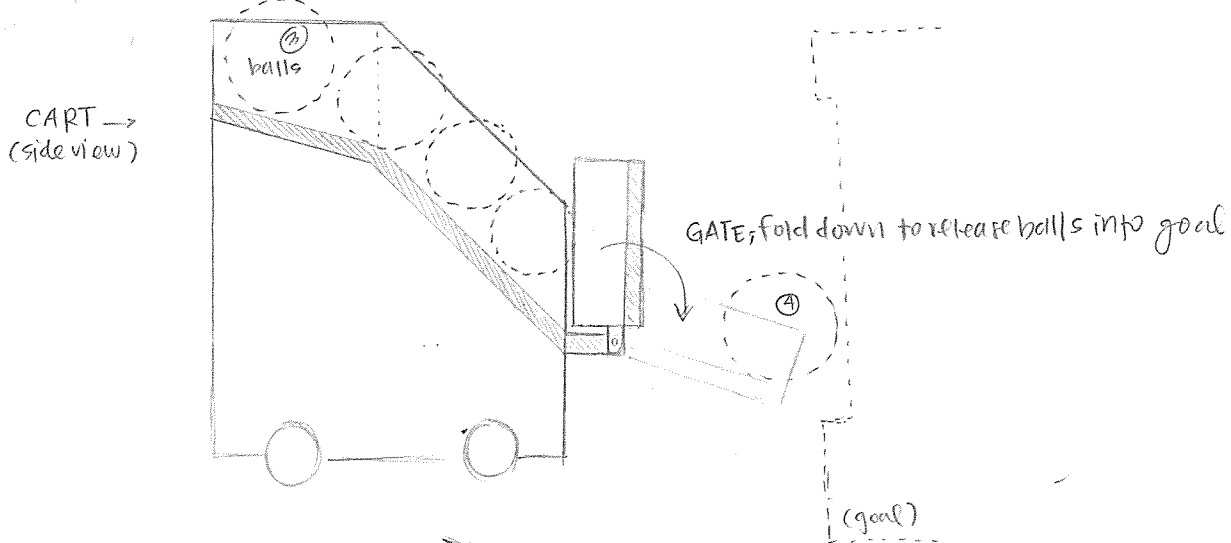
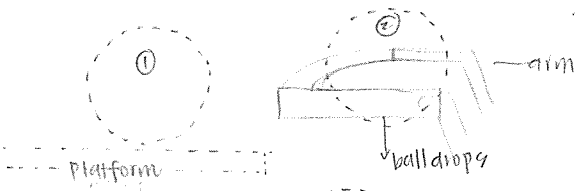


Advantages

- arm only needs to move up/down not forward/back
- can collect multiple balls in cart and deposit in the goal all at once

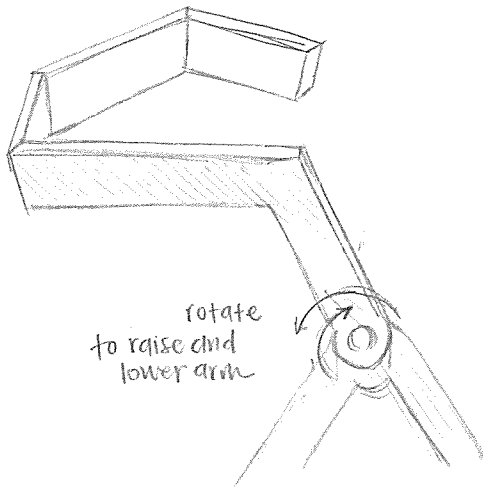
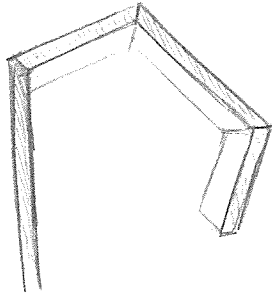
Disadvantages

- need to move entire cart sideways along the platform to collect balls (time consuming?)

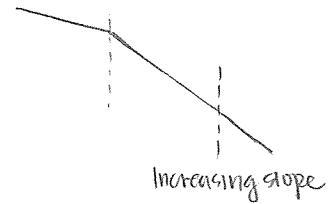
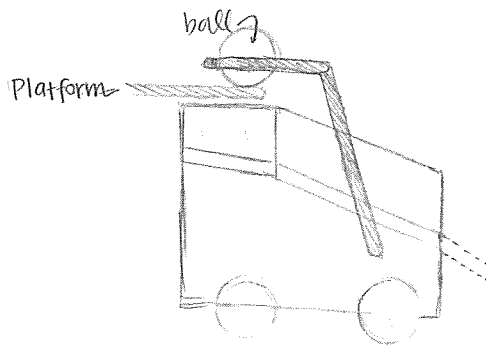
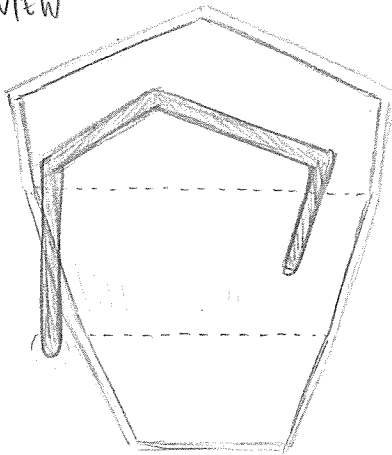


- reverse cart forwards goal to pull ball into cart
- lower gate to drop ball into goal

ARM



TOP VIEW



drive back to pull ball down.

Advantages

- pentagon shape allows for more control of the direction the ball moves in when it is pulled off the platform by the arm
- can carry more than 1 ball in the cart

Disadvantages

- can only collect one ball at a time with the arm, must move along the line of balls one by one

