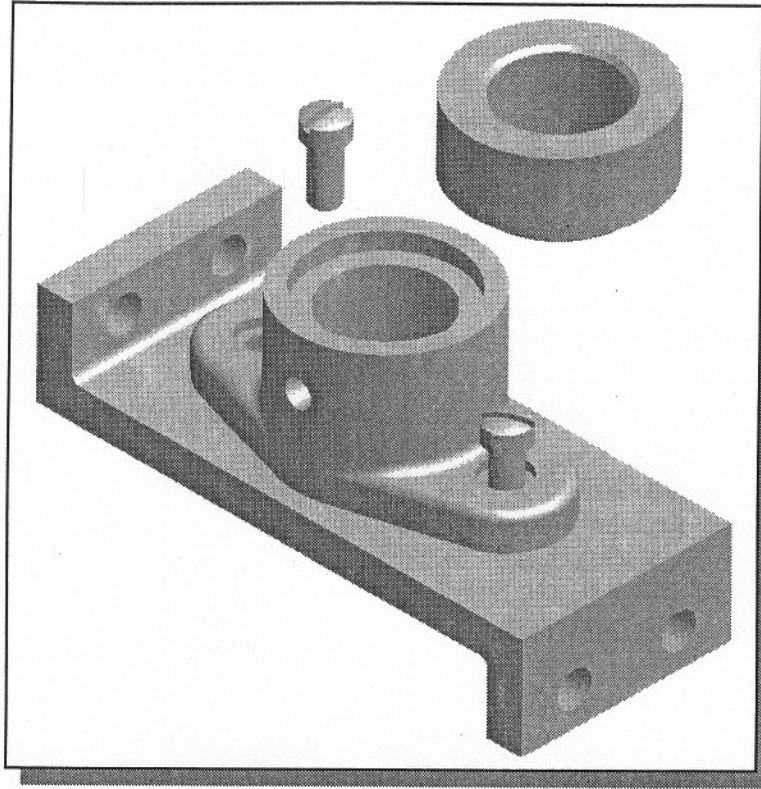


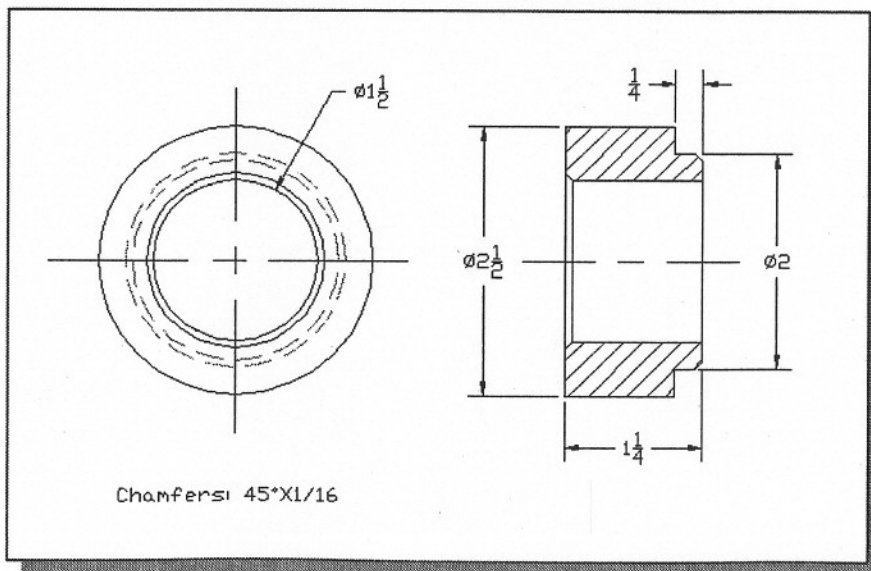
## The Shaft Support Assembly



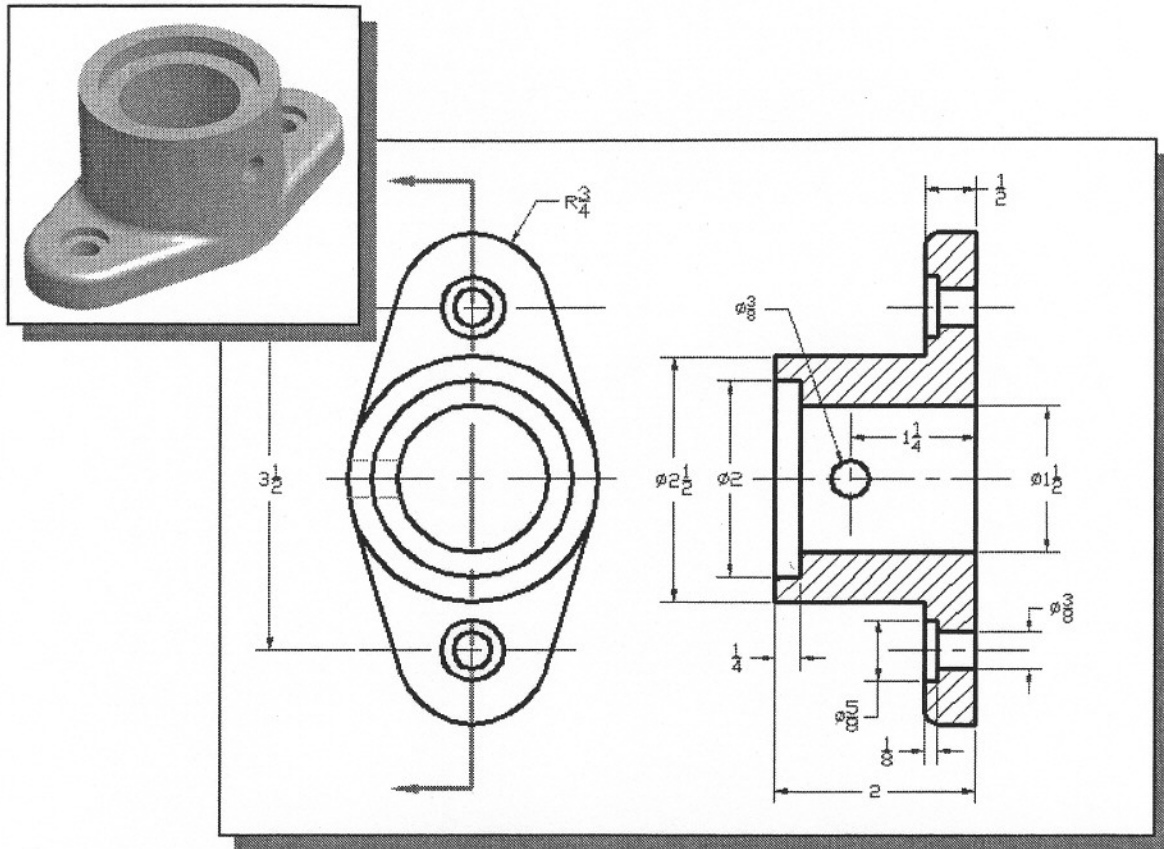
### Additional Parts

- Four parts are required for the assembly: (1) **Collar**, (2) **Bearing**, (3) **Base-Plate** and (4) **Cap-Screw**. Create the four parts as shown below, then save the models as separate part files: *Collar*, *Bearing*, *Base-Plate*, and *Cap-Screw*. (Close all part files or exit *Autodesk Inventor* after you have created the parts.)

#### (1) Collar



(2) **Bearing**



(3) **Base-Plate**

